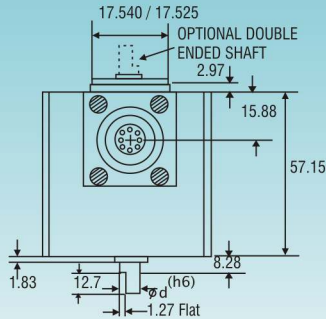
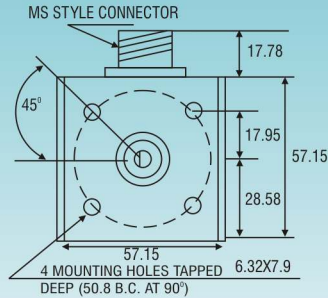


JENCODER E-CUBE



- Double ended shaft to mount measuring wheels for cut to length application
- Shatter proof disc
- Face or Base mounting available

Consult works for dimensions of industrial and heavy duty housing for E-cube

J-260-71

Channels	R=A B Z / Q=A B / A=A
Output	HV= Driver (10mA Source /sink) without inverted channels HVLD = Driver (10mA Source /sink) with inverted channels OC= Open Collector without inverted
PPR	see ppr option below
Voltage	V1= 5vdc / V2= 10-28vdc / V3= 5-28vdc
Shaft Type	S= Single ended / D= Double ended
Shaft Size ϕd	6= 1/4" / 9= 3/8"
Protection	1= IP50
Temperature	S= 70°C / H= 85°C
Connection Location	E= Connector

Ordering Example=J-260-71-R-HV-1000-V1-S-6-1-S-E

Model J-260-71 PPR Options

1,2,3,4,5,6,8,9,10,12,14,15,16,18,20,22,24,25,26,28,30,31,32,33,34,36,38,40,42,45,46,48, 50,54,55,60,64,72,76,80,82,84,86,88,90,92,94,95,96,98,100,106,108,110,112,114,120,122, 125,128,130,136,144,146,148,150,156,157,160,164,170,171,172,176,180,200, 210, 240, 250, 256, 276, 300, 305, 333, 350, 360, 480, 500, 512, 597, 600,720, 750, 800, 840, 960,1000,1024, 1080, 1200, 1250, 1270, 1500, 2000, 2048, 2500, 3000, 4096, 5000, 6000, 7200, 8192 and 10000