

Model	15H = Blind Bore / 15T = Through Bore	
Channels	R = ABZ / Q = AB / A = A	
Output	HV = Driver (10mA Source/Sink) without inverted channels HVLD = Driver (10mA Source/Sink) with inverted channels PP = Driver (50mA Source/Sink) without inverted channels PPLD/HTL = Driver (50mA Source/Sink) with inverted channels OC = Open Collector without inverted channels TTL/RS422 = Driver (10mA Source/Sink) with inverted channels at 5vdc	
PPR	see ppr option below	
Voltage	V1 = 5 VDC / V2 = 10-28 VDC / V3 = 5-28 VDC	
Shaft Bore Size Ø d	6 = 6mm / 6.35 = 6.35mm / 8 = 8mm / 10 = 10mm	
Mounting Options	SF6 = Double Side Slotted Flexmount 46mm SF7 = Double Side Slotted Flexmount 40mm	
Commutation Signals	C4 = 4 Pole C6 = 6 Pole C8 = 8 Pole N = No Commutation	
Protection	1 = IP50 / 2 = IP65 (For Blind Hollow Only)	
Temperature	S = 0-70°C / H = 0-100°C	
Cable Outlet	R = Radial	
CE Certified	N = Standard / CE = CE Certified	



J-15H/T-SL

Ordering Example – J-15H-SL-R-HVLD-1000-V1-6-SF6-N-1-S-R-N

Model J-15H-SL / J-15T-SL PPR Options

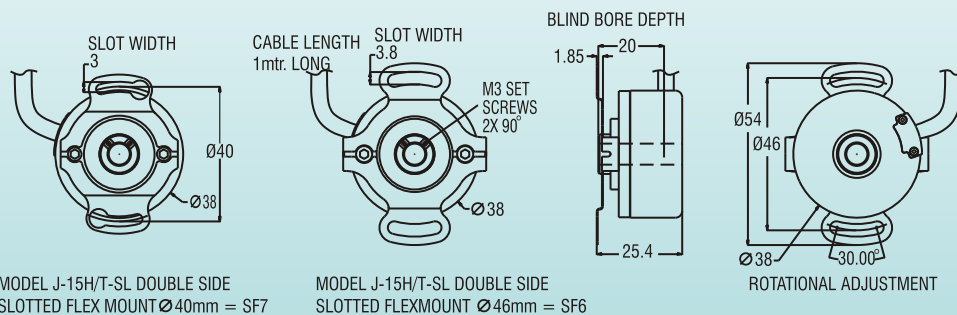
1,2,3,4,5,6,8,9,10,12,14,15,16,18,20,22,24,25,26,28,30,31,32,33,34,36,38,40,42,45,46,48,50,54,55,60,64,72,76,80,82,84,86,88,90,92,94,95,96,98,100,106,108,110,112,114,120,122,125,128,130,136,144,146,148,150,156,157,160,164,170,171,172,176,180,198,200,250,256,300,315,360,400,500,512,580,600,750,800,1000*,1024,1125,1200,1250*,1500*,1800*,2000*,2048*,2500*,2540,3000,3600,4000,4096,5000,6000,7200,8192 & 10000

*Commutation and 5vdc operation only

- Very High Performance Economical Encoder
- Low Profile 25.4mm Height & 38mm Diameter
- Thru-Bore (sizes up to 10mm) Up To 10 Pole Commutation
- Optional (for brushless motor control)
- Excellent replacement for other manufacturers modular encoders



JENCODER J-15H/T-SL



All dimensions are in mm with a tolerance of ±0.1 unless otherwise specified