

Channels	R=ABZ / Q=AB / A=A
Output	HV= Driver (10mA Source /sink) without inverted channels HVL=Driver (10mA Source /sink) with inverted channels
PPR	see ppr option below
Shaft Bore size Ø d	6=6mm / 10=10mm / 12=12mm / 14=14mm / X=special
Bore Style	B=Blind Hollow Shaft / T=Through Hollow Shaft
Mounting Options	SF1 = Double Side Slotted Flexmount 46mm SF4 = Single Side Slotted Flexmount 27mm To 46mm
Commutation Signals (5 VDC input only)	C4 = 4 Pole C6 = 6 Pole C8 = 8 Pole N = No Commutation
Protection	1=IP50 / 2=IP65
Temperature	S=70°C / H=100°C / V=120°C
CE Certified	N = Standard / CE = CE Certified



J-260

Ordering Example – J-260-R-HV-1000-6-B-SF1-N-1-S-N

Operating Temperature	Max. allowable Operating voltage
70° C	5-28vdc
100° C	5-16vdc
120° C	5vdc

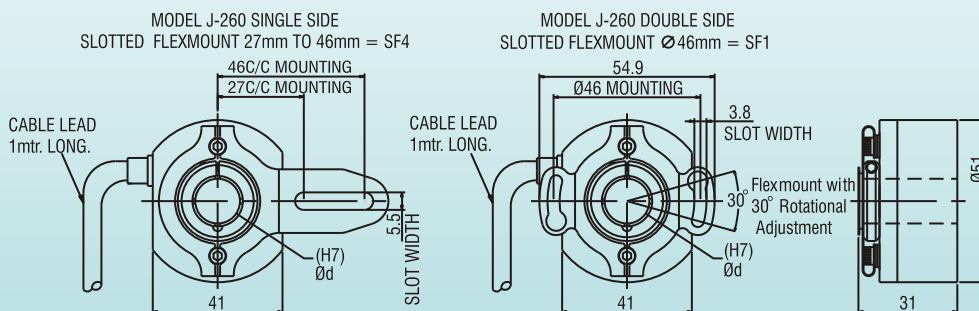
Model J-260 PPR Options

200,250,254,256,300,360,500,512,600,720,800,840,1000,1024,1200,1250,1270,1500,2000, 2048,2500,3000,4096,5000,6000,7200,8192 & 10000

- Low profile 31mm width.
- Integral bearing provides stable & concern for radial & axial play.
- Through shaft with clamp style mount.
- In simple, innovative flex mounting.



JENCODER 260



All dimensions are in mm with a tolerance of ±0.1 unless otherwise specified