

Channels	R=ABZ / Q=AB / A=A
Output	HV = Driver (10mA Source / Sink) without inverted channels HVLD = Driver (10mA Source / Sink) with inverted channels PP = Driver (50mA Source / Sink) without inverted channels PPLD/HTL = Driver (50mA Source / Sink) with inverted channels OC = Open Collector without inverted channels TTL/RS422 = Driver (10mA Source/Sink) with inverted channels at 5vdc
PPR	See ppr option below
Voltage	V1 = 5 VDC / V2 = 10-28 VDC / V3 = 5-28 VDC
Shaft Size Ød	15 = 15mm
Mounting Style	CF = Clamping Flange SF = Square Flange
Protection	1 = IP50 / 2 = IP65
Temperature	S = 0-70°C / H = 0-100°C
Connection Location	EG = End Gland / SG = Side Gland E10 = 10 Pin End Connector / S10 = 10 Pin Side Connector E17 = 17 Pin End Connector / S17 = 17 Pin Side Connector
CE Certified	N = Standard / CE = CE Certified



J-260-68-SL

Ordering Code – J-260-68-SL-R-HVLD-1024-V1-15-SF-2-S-S17-N.

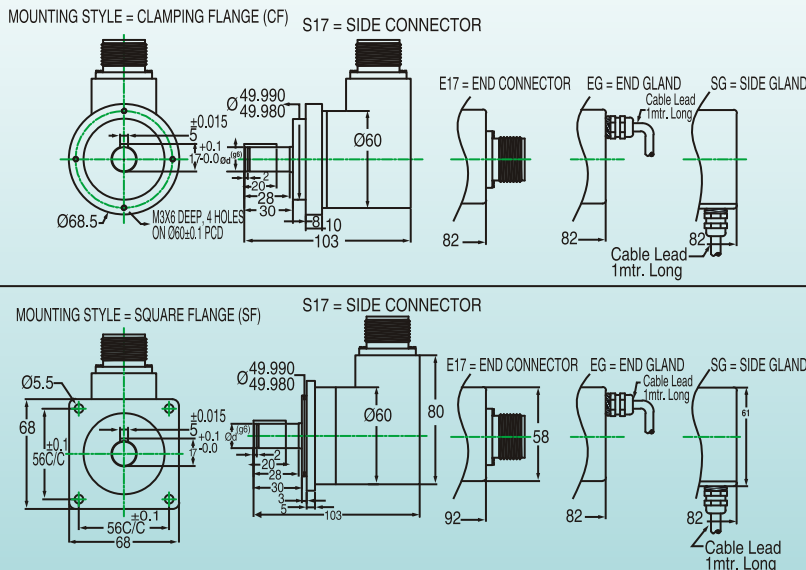
Model J-260-68-SL PPR Options

1,2,3,4,5,6,8,9,10,12,14,15,16,18,20,22,24,25,26,28,30,31,32,33,34,36,38,40,42,45,46,48,50,54,55,60,64,72,76,80,82,84,86,88,90,92,94,95,96,98,100,106,108,110,112,114,120,122,125,128,130,136,144,146,148,150,156,157,160,164,170,171,172,176,180,200,210,240,250,256,276,300,305,360,480,500,512,597,600,720,750,800,840,960,1000,1024,1080,1200,1250,1270,1500,2000,2048,2500,3000,4096,5000,6000,7200,8192 & 10000

- Extra Heavy Duty Unit With Double Sealing
 - High Shaft Loading Capability
- Exact Machine Tool Encoder



JENCODER J-260-68-SL



All dimensions are in mm with a tolerance of ±0.1 unless otherwise specified