

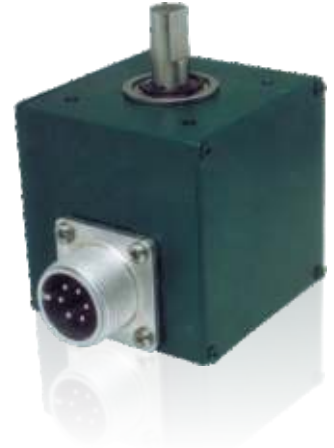
<b>Channels</b>	R=A B Z / Q=A B / A=A
<b>Output</b>	HV = Driver (10mA Source /sink) without inverted channels HVL D = Driver (10mA Source /sink) with inverted channels OC = Open Collector without inverted
<b>PPR</b>	see ppr option below
<b>Voltage</b>	V1=5vdc / V2=10-28vdc / V3=5-28vdc
<b>Shaft Type</b>	S = Single ended / D=Double ended
<b>Shaft Size Ø d</b>	6.35 = 6.35 / 9.52 = 9.52
<b>Protection</b>	1 = IP50
<b>Temperature</b>	S = 70°C / H=85°C
<b>Connection Location</b>	E = Connector

Ordering Example - J-260-71-R-HV-1000-V1-S-6.35-1-S-E

### Model J-260-71 PPR Options

1,2,3,4,5,6,8,9,10,12,14,15,16,18,20,22,24,25,26,28,30,31,32,33,34,36,38,40,42,45,46,48,50,54,55,60,64,72,76,80,82,84,86,88,90,92,94,95,96,98,100,106,108,110,112,114,120,122,125,128,130,136,144,146,148,150,156,157,160,164,170,171,172,176,180,200, 210, 240, 250, 256, 276, 300, 305, 333, 350, 360, 480, 500, 512, 597, 600,720, 750, 800, 840, 960,1000,1024, 1080, 1200, 1250, 1270, 1500, 2000, 2048, 2500, 3000, 4096, 5000, 6000, 7200, 8192 and 10000

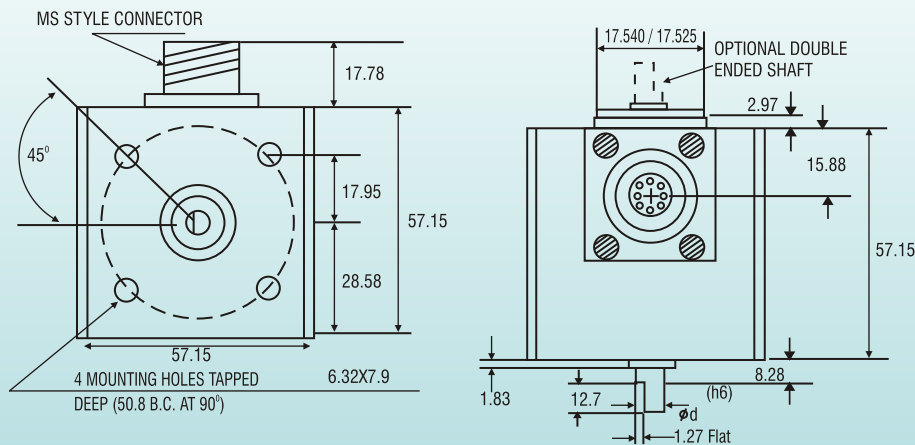
- Double ended shaft to mount measuring wheels for cut to length application
- Shatter proof disc
- Face or Base mounting available



J-260-71



### J-260-71 E-CUBE



All dimensions are in mm with a tolerance of ±0.1 unless otherwise specified