

Channels	R = ABZ / Q = AB / A = A
Output	HV = Driver (10mA Source/Sink) without inverted channels HVLD = Driver (10mA Source/Sink) with inverted channels PP = Driver (50mA Source/Sink) without inverted channels PPLD/HTL = Driver (50mA Source/Sink) with inverted channels OC = Open Collector without inverted channels TTL/RS422 = Driver (10mA Source/Sink) with inverted channels at 5vdc
PPR	see ppr option below
Voltage	V1 = 5 VDC / V2 = 10-28 VDC / V3 = 5-28 VDC
Protection	2 = IP65
Temperature	S = 0-70°C
Termination	T = Terminal Box / C = Connector
CE Certified	N = Standard / CE = CE Certified

Ordering Example – J-260-9HD-N-R-HVLD-1000-V2-2-S-T

Model J-260-9HD-N PPR Options

1,2,3,4,5,6,8,9,10,12,14,15,16,18,20,22,24,25,26,28,30,31,32,33,34,36,38,40,42,45,46,48,50,54,55, 60,64,72,76,80,82,84,86,88,90,92,94,95,96,98,100,106,108,110,112,114,120,122,125,128, 130,136,144,146,148,150,156,157,160,164,170,171,172,176,180,200,210,240,250,256,276,300,305, 360,480,500,512,597,600,720,750,800,840,960,1000,1024,1080,1200,1250,1270,1500,2000,2048, 2500,3000,4096,5000,6000,7200,8192 & 10000

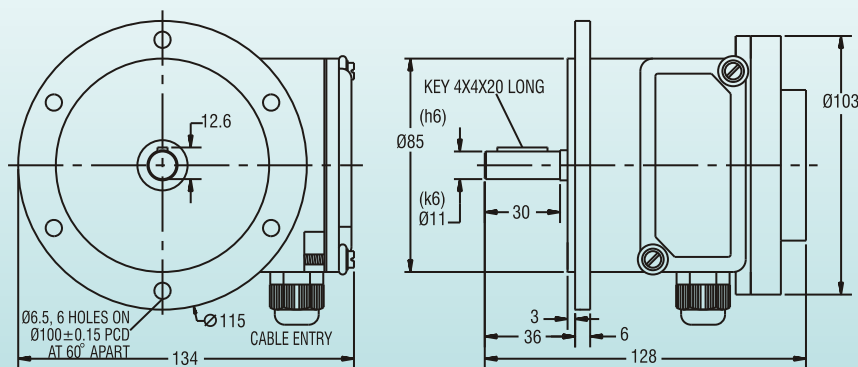
- Extremely robust construction having heavy duty bearings on opposite face of housing allowing use of rigid coupling
- Optional terminal box for ease of connection
- Optional driver circuit for long distance cable(100m)
- Optional unbreakable to withstand heavy shocks



J-260-9HD-N



JENCODER J-260-9HD-N



All dimensions are in mm with a tolerance of ±0.1 unless otherwise specified